



PT. GERBANG SARANABAJA

"THIS PRODUCT IS THE PROPERTY OF PT. GERBANG SARANABAJA AND MAY ONLY BE USED FOR PURPOSES IN ACCORDANCE WITH THE COMPANY'S REGULATIONS. ANY FORM OF REPRODUCTION OR USE WITHOUT THE COMPANY'S PERMISSION IS STRICTLY PROHIBITED."

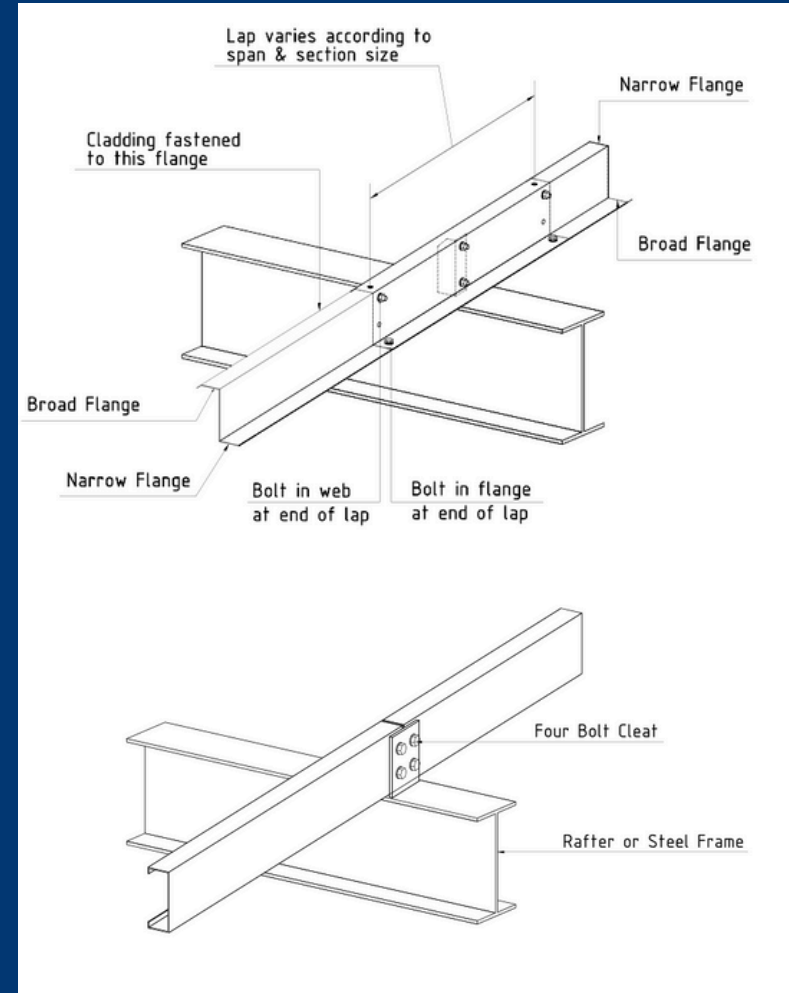


PT. GERBANG SARANABAJA

JL. RAYA TIPAR CAKUNG KM 3,9 SUKAPURA, CILINCING, JAKARTA 14140 INDONESIA
PHONE: [+62-21] 4402135

Info@gsb.co.id

www.gsb.co.id

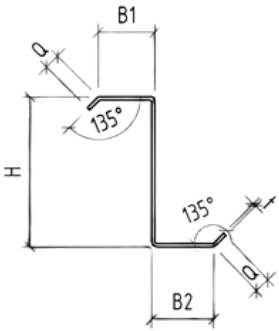


G_ZC PURLIN



Growth Through Better Service

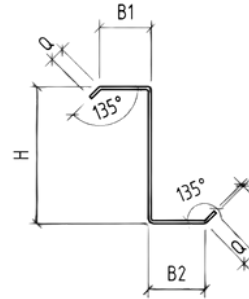
PURLIN TYPE G450



GZ Purlin

PROFILE	t (mm)	H (mm)	B1 (mm)	B2 (mm)	Q (mm)	Weight (kg/m)	Material Specification
Z150.15 GSB	1.5	150	68	64	16.5	3.57	G450
Z150.19 GSB	1.9	150	68	64	18	4.52	G450
Z200.15 GSB	1.5	200	72	68	16.5	4.25	G450
Z200.19 GSB	1.9	200	72	68	18	5.38	G450
Z200.24 GSB	2.4	200	72	68	20	6.80	G450
Z250.19 GSB	1.9	250	69	65	18	6.04	G450
Z250.24 GSB	2.4	250	69	65	20	7.63	G450

PURLIN TYPE SPHC

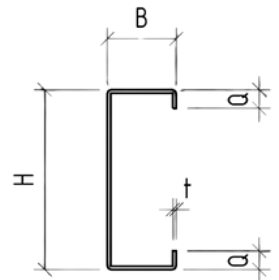


GZ Purlin

PROFILE	t (mm)	H (mm)	B1 (mm)	B2 (mm)	Q (mm)	Weight (kg/m)	Material Specification
Z150.23 GSB	2.3	150	68	64	16.5	5.36	SPHC
Z150.32 GSB	3.2	150	68	64	20	7.45	SPHC
Z200.23 GSB	2.3	200	72	68	16.5	6.40	SPHC
Z200.32 GSB	3.2	200	72	68	20	8.90	SPHC
Z250.23 GSB	2.3	250	69	65	16.5	7.20	SPHC
Z250.32 GSB	3.2	250	69	65	20	10.01	SPHC

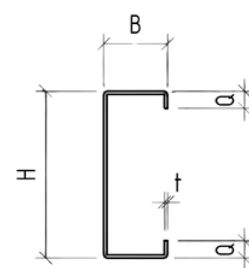
PROFILE	t (mm)	H (mm)	B (mm)	Q (mm)	Weight (kg/m)	Material Specification
C100.15 GSB	1.5	100	42	15	2.38	G450
C100.19 GSB	1.9	100	42	16.5	3.01	G450
C150.15 GSB	1.5	150	67	15.5	3.57	G450
C150.19 GSB	1.9	150	67	17	4.52	G450
C200.15 GSB	1.5	200	72	15	4.26	G450
C200.19 GSB	1.9	200	72	16.5	5.40	G450
C200.24 GSB	2.4	200	72	18.5	6.82	G450
C250.19 GSB	1.9	250	68	17	6.04	G450
C250.24 GSB	2.4	250	68	19	7.63	G450

GC Purlin



PROFILE	t (mm)	H (mm)	B1 (mm)	B2 (mm)	Q (mm)	Weight (kg/m)	Material Specification
C100.50 GSB	2.3	100	50	50	20	4.00	SPHC
C100.50 GSB	3.2	100	50	50	20	5.39	SPHC
C150.50 GSB	2.3	150	50	50	20	4.90	SPHC
C150.50 GSB	3.2	150	50	50	20	6.64	SPHC
C150.65 GSB	2.3	150	65	65	20	5.45	SPHC
C150.65 GSB	3.2	150	65	65	20	7.40	SPHC
C200.75 GSB	2.3	200	75	75	20	6.71	SPHC
C200.75 GSB	3.2	200	75	75	20	9.15	SPHC

GC Purlin



****NON STANDARD LENGTH IS AVAILABLE ON REQUEST SUBJECT TO MINIMUM QUANTITY. WE PROVIDE ADDITIONAL SERVICES FOR STANDARD DRILLING AND PUNCHING. SHOTBLASTING, PAINTING, AND GALVANIZING ARE AVAILABLE ON REQUEST.**

